

# RAPICON

## Metal Detector Conveyor

### Standard Systems for Quick Delivery

---

- Rapid response to changing food safety demands
- Affordable food safety compliance
- Compact design from standard lengths and widths
- Suitable for GLS or C-SCAN GHF metal detector technologies
- Standard range of reject systems
- Stock to three week delivery



*RAPICON with C-SCAN GHF*

# RAPICON Metal Detector Conveyor

## Key Features

- **Standard Aperture Sizes:** The RAPICON offers six standard aperture sizes with two levels of metal detector technology (GLS or C-SCAN GHF) for optimum flexibility to provide solutions that deliver the best performance and results.
- **Full Featured:** RAPICON systems have IP66/69K coil design with RS-232 communications and a touch screen user-interface as standard (optional on GLS).
- **Robust Construction:** Fully welded stainless steel frame, with food grade plastic components.
- **Clean design to IP65 standards,** suitable for all food and pharmaceutical environments.
- **Positive Reject Devices:** Stop on detect, Air-blast and Pusher, to remove contaminated products from the line. Optional reject confirmation and bin full detection are available.
- **Designed with Food Safety in Mind:** Fully welded frame, lift out decking, and spaced mounts. Open construction allows for easy cleaning and maintenance.
- **Multiple Languages:** Up to 12 user selectable languages.
- **Multiple Level Password Protection:** Protects key parameters such as product change, automatic update, product parameters and system data.



## Low Cost of Maintenance

- **Single Controls Enclosure:** Power supply and processor are housed in one enclosure for better wash immunity and a lower component count.
- **Easy Quick Board Swap:** GLS and C-SCAN GHF metal detectors boards can be replaced in a few minutes. Product Parameters are maintained in exchangeable memory.
- **No Field Balance Required:** Built with precision and robust design, the coil balance is factory configured without the need for environmental adjustment.
- **Low Cost of Ownership:** Reliability, stability and high performance are key elements to the design.



## Stability and Performance

- **Highest Standards of Engineering:** Precision search head coil construction guarantees stability regardless of the environment.
- **Product Tracking:** Automatic adjustment for incremental product signal changes (recipe, moisture, thawing) to provide optimal sensitivity with minimal false rejects.
- **Multi-Frequency Technology:** Automatically selects multiple operating frequencies for best sensitivity and stability throughout a wide range of products.

# Immediate Food Safety compliance with quick delivery

## Rapicon Standard Aperture Sizes

- 350mm/150mm – 14" x 6"
- 350mm/200mm – 14" x 8"
- 350mm/250mm – 14" x 10"
- 500mm/150mm – 20" x 6"
- 500mm/200mm – 20" x 8"
- 500mm/250mm – 20" x 10"

## Choose Metal Detector Technology



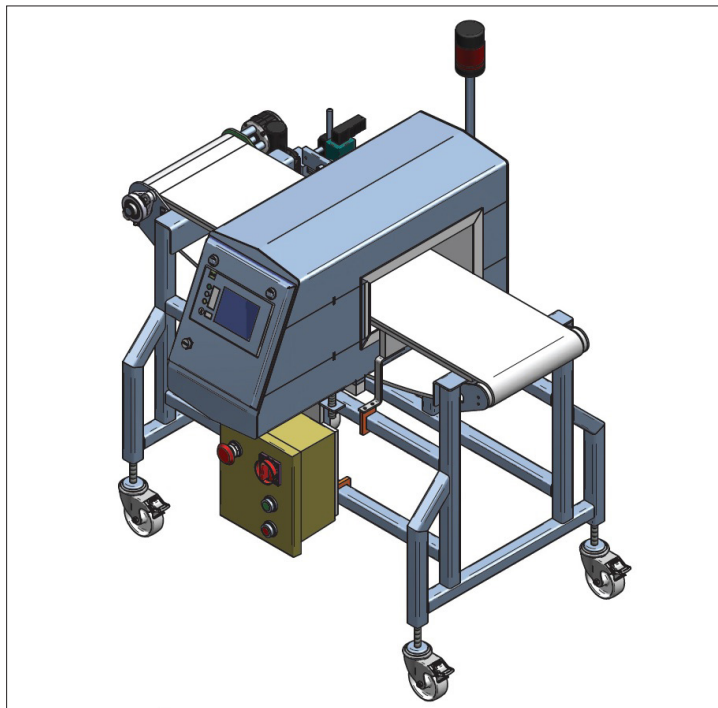
GLS Model



C-SCAN GHF Model

## Choose Standard Length and Width

Belt Width	Conveyor Length			Heights
12"	48"	60"	72"	30, 32, 34, 36
18"	48"	60"	72"	30, 32, 34, 36



## Enhanced Sensitivity

- **Full Automatic Product Learn:** Including gain, sensitivity and phase are taught using the dual channel DSP software.
- **Quick Teach:** Simplified "on the fly" Product Learn that updates the product compensation, for small changes in the product.
- **Quick Learn System:** Change products without disrupting production, to compensate for step-changes in product.
- **Self-Health Monitoring System:** Ensures the metal detector is always operating at peak performance by measuring key system operating points and alerting the user in case of a problem.
- **100 Product Memory:** Provides ample storage for multiple SKUs and products.

## Production Reporting

- **Insight.Net, InsightLog.Net:** For remote production, contaminant logging and Audit Check compliance reporting. Remote product set-up and adjustment also available.
- **Serial Interfaces:** RS232 or RS485.
- **USB Interface:** Export user and system data (included with touch screen).
- **TCP/IP:** Ethernet interface (TCP/IP 100 Mbit/s).
- **WLAN Interface:** With integrated aerial
- **Hard Copy Printed Reports:** Via optional printer.
- **Profibus Interface:** PLC data highway

## Audit Check for HACCP Compliance

- **Programmable Test Interval:** Each validation time is programmed in accordance to the HACCP plan.
- **Preselected Test Samples Sizes:** Corresponding Ferrous, Nonferrous and Stainless Steel test samples are programmed according to policy.
- **Out of Spec Samples Rejected:** Each type of sample has a maximum signal limiter to prevent larger samples from being accepted during a validation challenge.
- **Audit Check Alarms:** Signals when a test is required, or fails safe if a challenge fails or is incomplete.
- **Record Keeping:** Results stored in Logbook, up loadable via RS232/242, Ethernet.

**Sesotec Inc.** is a global provider of metal detection systems for modern food production environments where high performance metal detection with attention to cleanliness and high sanitation standards is required. Just as food processors are committed to the **highest levels of food safety and quality**, so is Sesotec committed to high quality engineering and exceptional construction.

Using the latest in signal processing software and multi-frequency technology, Sesotec Metal Detectors are of the highest quality and can detect even the smallest pieces of metal in food. Sesotec systems help you conform to **HACCP** standards and achieve the highest levels of product purity.

The system is **easy to use** with full automatic product learn and fast learn functions that optimize performance. HACCP validation software, TCP/IP data logging, or Ethernet capabilities provide a comprehensive record of all HACCP challenges and system activities.

Sesotec technology enhances food production safety. All RAPICON Conveyors are designed to reduce risk in food production systems, by reducing harborage areas where pathogen growth can take place within the product-handling systems. Sesotec metal detection technology, combined with clean frame design, and components that disassemble easily, offer you a **comprehensive food safety solution**.

### About Sesotec Inc.

**Sesotec Inc.**, is a subsidiary of **Sesotec GmbH**, positioned to serve the needs of North America with its regional assembly, sales, and service operations. We have extensive practical expertise and are dedicated to providing the very best in customer support, service, and parts availability. All Sesotec products are made to exacting standards to provide trouble-free, reliable service and to facilitate ease of use and maintenance, matching the best in the industry. Our customer base is worldwide and includes major food, pharmaceutical and chemical companies.



### General Specifications

- **Suitable for:** Sesotec GLS and C-Scan GHF aperture sizes from 350mm or 500mm wide up to 250mm high
- **Optional:** Touch screen display for GLS (Standard for C-SCAN GHF)
- **Construction:** 304 stainless steel frame with food approved plastic components
- **Available Lengths:** 48", 60" or 72"
- **Available Widths:** 12" or 18"
- **Available Heights:** 30-36" in 2" steps +/- 2"
- **Belt Speeds:** 50 to 150fpm
- **Power:** 120VAC/1PH/60Hz standard
- **Belting Type:** Modular plastic belting
- **Reject Systems:** Stop on detect with light or alarm, air-blast or pusher
- **Other Options:** Alarm, Casters, reject bin, Stack light, PEC registration, Reject area guard, reject confirmation, bin full detection, product guides
- **Custom Solutions:** Sesotec Inspection offers the comprehensive SANICON conveyor range for applications that are customized to specific applications. For Custom solutions contact your regional Sesotec representative.

For more information or to discuss your requirements please contact our office closest to you:

[www.sesotec.us](http://www.sesotec.us)